

Kytun™ UNIVERSAL Dry Ridge Bracket

DRY ROOFING PRODUCTS



SUITABLE FOR USE WITH:



Introduction

1.1 TECHNICAL DATA

3m

- Contents
- 1 x 3m Ventilated Ridge Roll
 - 7 x Dry Ridge Union Bracket
 - 7 x Dry Ridge Clamping Plates
 - 7 x Dry Ridge Screws & Washers
 - 5 x Dry Ridge Batten Metal Plate



5m

- Contents
- 1 x 5m Ventilated Ridge Roll
 - 11 x Dry Ridge Union Bracket
 - 11 x Dry Ridge Clamping Plates
 - 11 x Dry Ridge Screws & Washers
 - 8 x Dry Ridge Batten Metal Plate

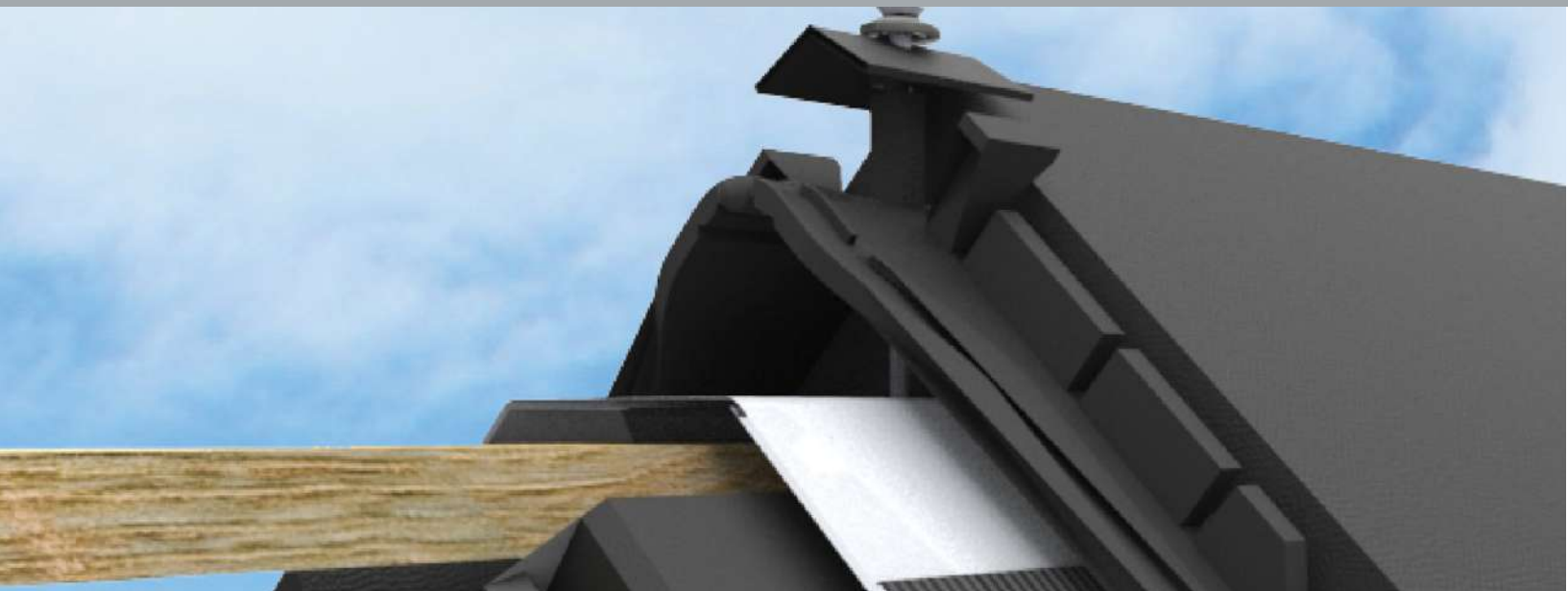
10m

- Contents
- 1 x 10m Ventilated Ridge Roll
 - 22 x Dry Ridge Union Bracket
 - 22 x Dry Ridge Clamping Plates
 - 22 x Dry Ridge Screws & Washers
 - 16 x Dry Ridge Batten Metal Plate

6m

- Contents
- 1 x 6m Ventilated Ridge Roll
 - 13 x Dry Ridge Union Bracket
 - 13 x Dry Ridge Clamping Plates
 - 13 x Dry Ridge Screws & Washers
 - 10 x Dry Ridge Batten Metal Plate

Material (See individual Material Safety Data Sheets)
Pitch Range: 12.5° – 60° Degrees.
The unique KYTUN Dry Ridge Union bracket design allows for easy fixing to a wide range concrete & clay ridge tiles.



1.2 DESCRIPTION

The KYTUN Universal Dry Ridge Kit provides a secure, easy fixed, waterproof finish for a wide range of concrete ridge tiles protecting the ridge from wind uplift and rain. The KYTUN Universal Dry Ridge Kit can be used with universal, half round and plain angle ridge tiles.

1.3 STORAGE

The KYTUN Universal Dry Ridge Kit should remain sealed in its box in a secure dry area until it is to be used. This will ensure no damage or loss of contents.

Installation

2.1 GUIDANCE NOTES

Every site and project will be different but in general there are a number of important principles for the roofer.

The KYTUN Dry Ridge Union Bracket is a universal product which will work with a wide range of Concrete Ridge Tiles.

To ensure the product performs correctly over its lifetime it must be installed in the manner described below. NO deviation from the installation guide is recommended.

The general principles remain the same however and typical construction details are found in Section 2.2.

It is important when fixing the KYTUN Universal Dry Ridge Kit that the roof tiles lie on a level plane be installed in accordance with the manufacturers guide. Please ensure you follow the installation information provided by the tile supplier to ensure the tiles are clipped or nailed correctly.

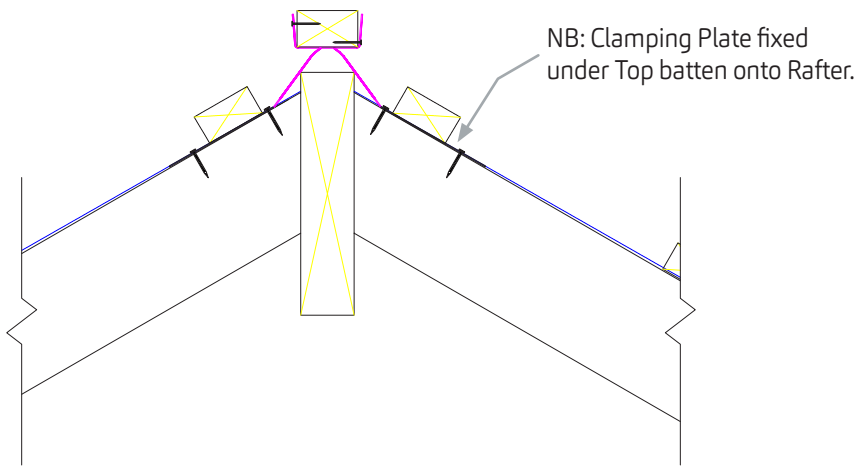


Fig 1. Clamping Plate fixed to rafter. – 2D View.

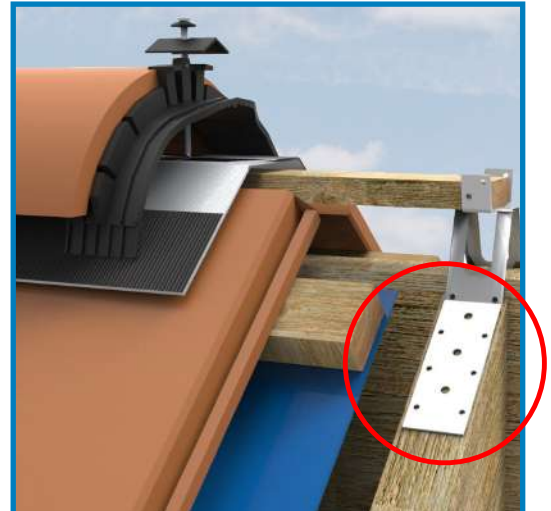


Fig 2. Clamping plate in place prior to fixing. - 3D view.

2.2 KYTUN DRY RIDGE KIT INSTALLATION

1. The roof is dressed as normal with underlay placed. Fix the battens to the roof as normal apart from the top batten on each side. Bend the vertical legs of the Clamping plate at a height of around 100mm. This is then fixed to the rafter as shown. This is then repeated at all rafters on the roof. Lay a 25 x 50mm batten in the Kytun Dry Ridge Clamping plate and secured with 2 side nails at each plate. The roofer should satisfy themselves at this stage regarding overhang needed for this batten depending on the Verge system being used.

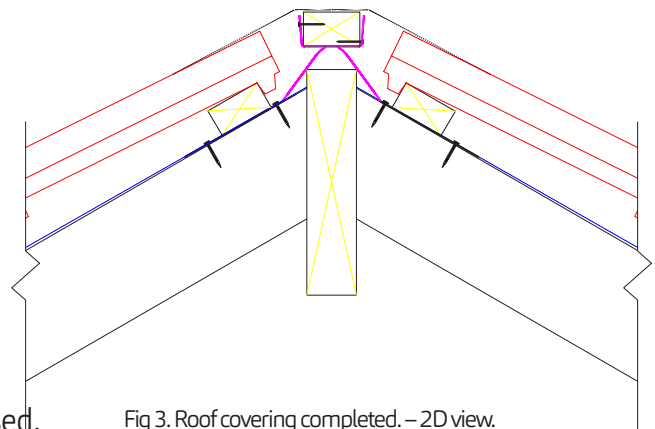


Fig 3. Roof covering completed. – 2D view.

2. At this stage the roof covering is finished to the ridge as per the manufacturer's instructions.

IMPORTANT: Depending on the type of Ridge tile (Universal, half round and Plain Angle) there may need to be additional battens secured onto the top of the clamping plate.

The top of the batten should be a maximum of 20mm from the underside of the Ridge Tile. This allows the fixing screw to get a strong fixing into the batten.

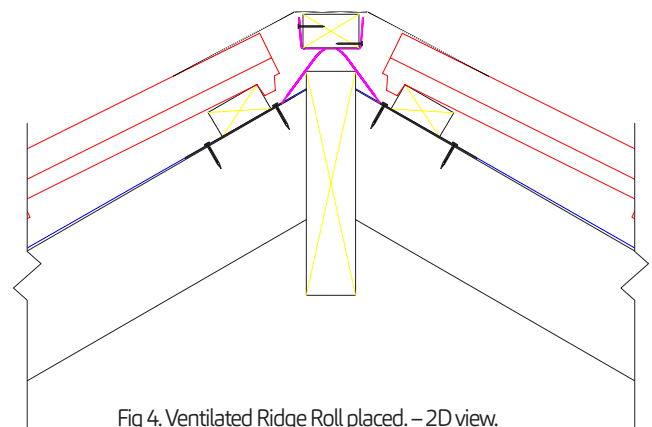


Fig 4. Ventilated Ridge Roll placed. – 2D view.

Kytun™ UNIVERSAL Dry Ridge Bracket

DRY ROOFING PRODUCTS

3. KYTUN ventilated ridge roll is then placed on the ridge. The two corrugated side flaps are designed to drape down over the top row of tiles on either side as the roll is opened out. The underside has a strip of self-adhesive butyl protected by an easy-release backing tape. Removing the tape the Ridge Roll is firmly applied by hand to the roof tiles. A ridge roll applicator is then used to securely fix in place.
4. Lay the Ridge tile along with KYTUN Dry Ridge Union Bracket on the roof to ensure placement is correct.
5. Fix Ridge tiles using KYTUN Dry Ridge Screws and Washers.
6. This process is then repeated over the full roof.
7. Where the ridge tiles run into chimney stacks the ridge tile should be secured as close to the lead flashing as possible by drilling the roof tile as required and fixing using same process as above. Further information can be obtained by contacting the KYTUN technical department.

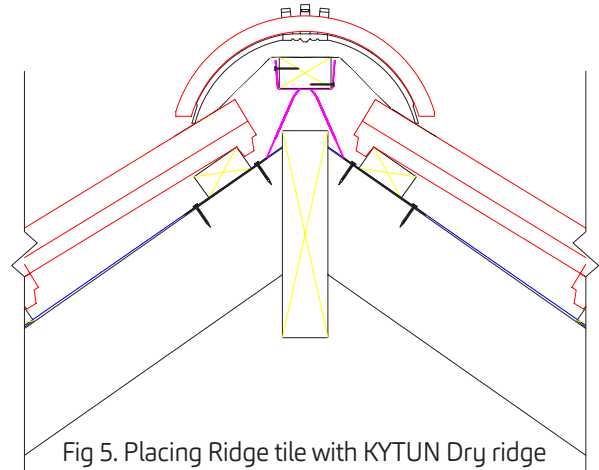


Fig 5. Placing Ridge tile with KYTUN Dry ridge Union Bracket. – 2D view.

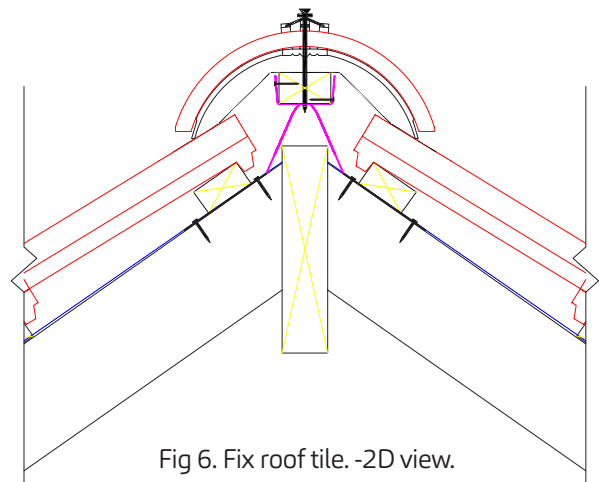


Fig 6. Fix roof tile. -2D view.



Fig 7. Fix roof tile. – 3D View.



Fig 8. Ridge Tiles fixed over length of roof. – 3D View.